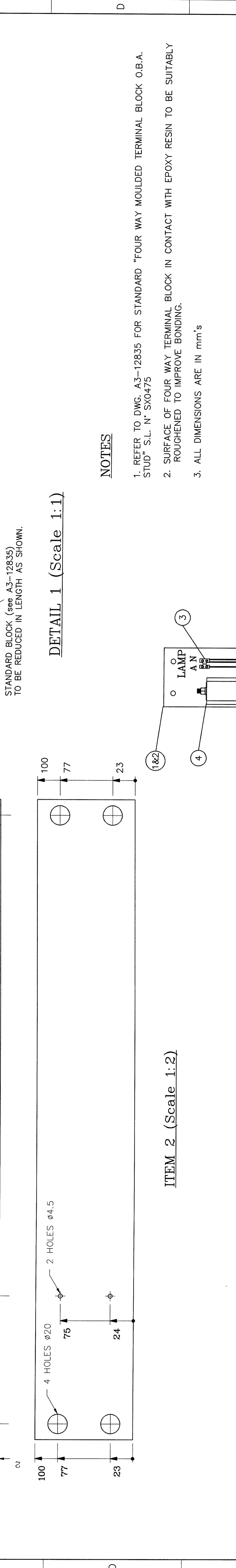
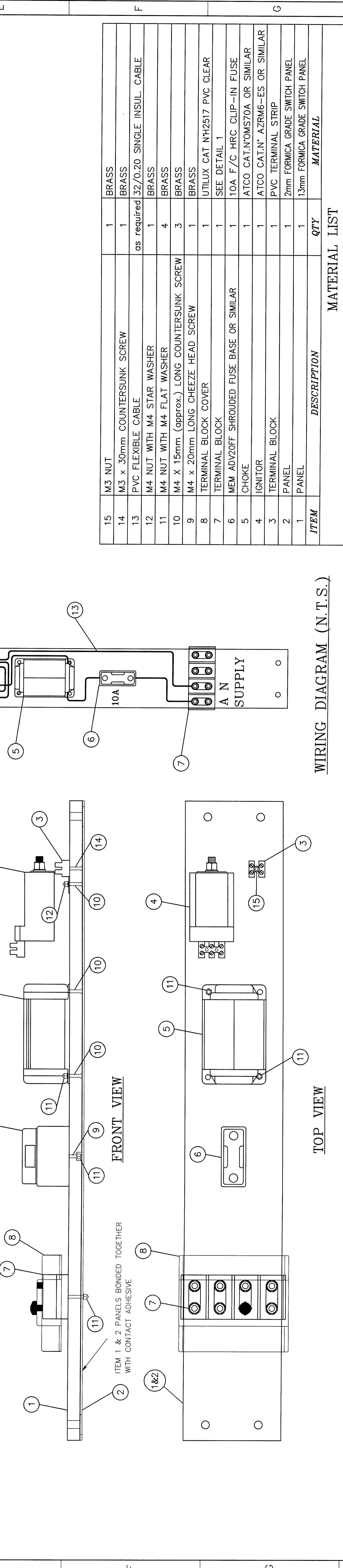


ITEM 1 (Scale 1:2)



ITEM 2 (Scale 1:2)



WIRING DIAGRAM (N.T.S.)

ITEM	DESCRIPTION	QTY	MATERIAL
15	M3 NUT	1	BRASS
14	M3 x 30mm COUNTERSUNK SCREW	1	BRASS
13	PVC FLEXIBLE CABLE	as required	32/0.20 SINGLE INSUL. CABLE
12	M4 NUT WITH M4 STAR WASHER	1	BRASS
11	M4 NUT WITH M4 FLAT WASHER	4	BRASS
10	M4 X 15mm (approx.) LONG COUNTERSUNK SCREW	3	BRASS
9	M4 x 20mm LONG CHEESE HEAD SCREW	1	BRASS
8	TERMINAL BLOCK COVER	1	UTILUX CAT N'H2517 PVC CLEAR
7	TERMINAL BLOCK	1	SEE DETAIL 1
6	MEM ADV20FF SHROUDED FUSE BASE OR SIMILAR	1	10A F/C HRC CLIP-IN FUSE
5	CHOKER	1	ATCO CAT.N'OMS70A OR SIMILAR
4	IGNITOR	1	ATCO CAT.N' AZRM6-ES OR SIMILAR
3	TERMINAL BLOCK	1	PVC TERMINAL STRIP
2	PANEL	1	2mm FORMICA GRADE SWITCH PANEL
1	PANEL	1	13mm FORMICA GRADE SWITCH PANEL

AMENDMENTS

1. SECTION A-A WAS REDRAWN BUT/HEB 15/6/90	PN 30000	CHECKED: BUT	APPROVED: RJM
2. ITEM 6 WAS 8A REMARABLE FUSE	PN 500052	D.FISHER 20/9/93	CHECKED: DC
3. FUSE BASE (ITEM 6) DETAIL ADDED (REF G9)	WAS 8A (REF F7).	JC	CHECKED: PJE
4. FUSE RATING (10A)	APPROVED: JHB	14.12.00	APPROVED: PJE

SYDNEY ELECTRICITY

70 WATT METAL HALIDE STREET LIGHTING CONTROL PANEL PUBLIC WORKS TYPE

AC APPROVAL SIGNATURE DATE THIS ONLY APPEARS ON PRINTS PRODUCED FROM A...

REFERENCE DRAWINGS

STANDARD 4 WAY MOULDED TERMINAL BLOCK OBA STUD	DWG N° A3-12835
4 WAY MOULDED TERMINAL BLOCK - OBA STUD FOR STREET LIGHTING STANDARDS	A3-40980

NOTES

- REFER TO DWG. A3-12835 FOR STANDARD "FOUR WAY MOULDED TERMINAL BLOCK O.B.A. STUD" S.L. N° SX0475
- SURFACE OF FOUR WAY TERMINAL BLOCK IN CONTACT WITH EPOXY RESIN TO BE SUITABLY ROUGHENED TO IMPROVE BONDING.
- ALL DIMENSIONS ARE IN mm's

MATERIAL LIST