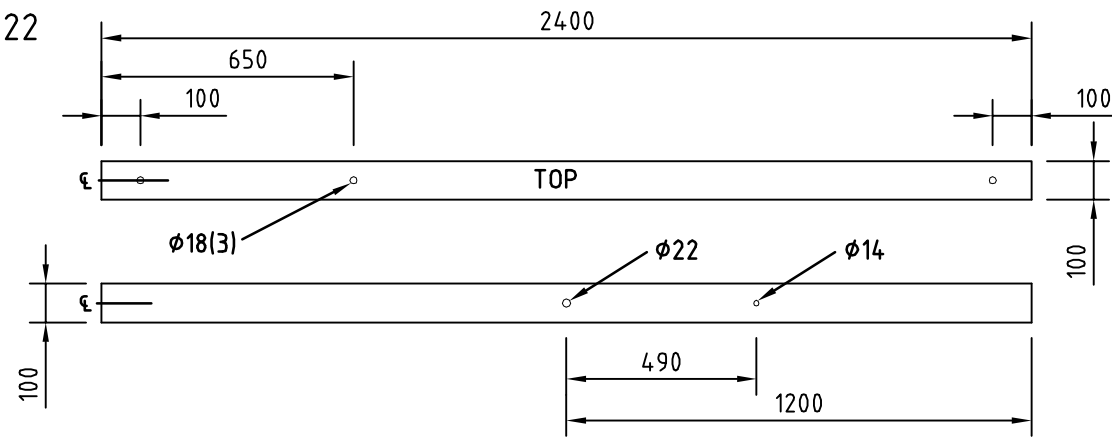


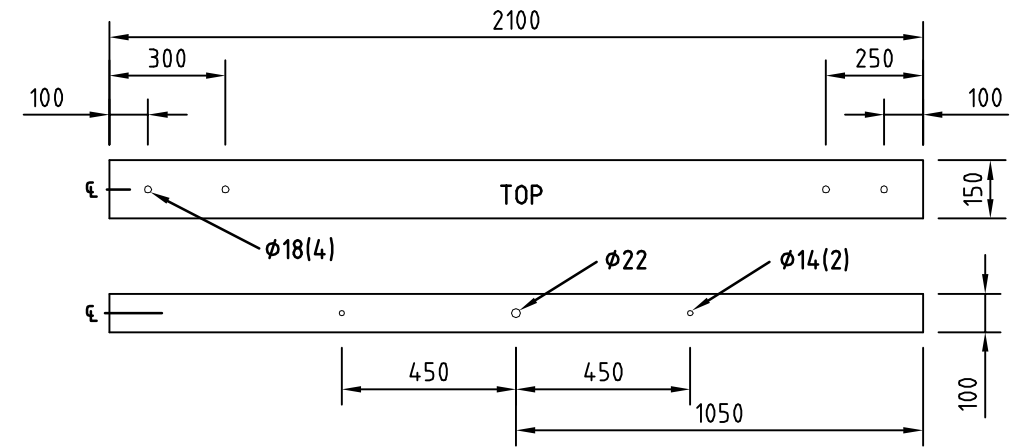
ITEM (A)

H.V. DROPOUT FUSE ARM - 1PH, 3PH  
 MATERIAL : 2400x100x100 H/WOOD  
 STOCK CODE : 176222



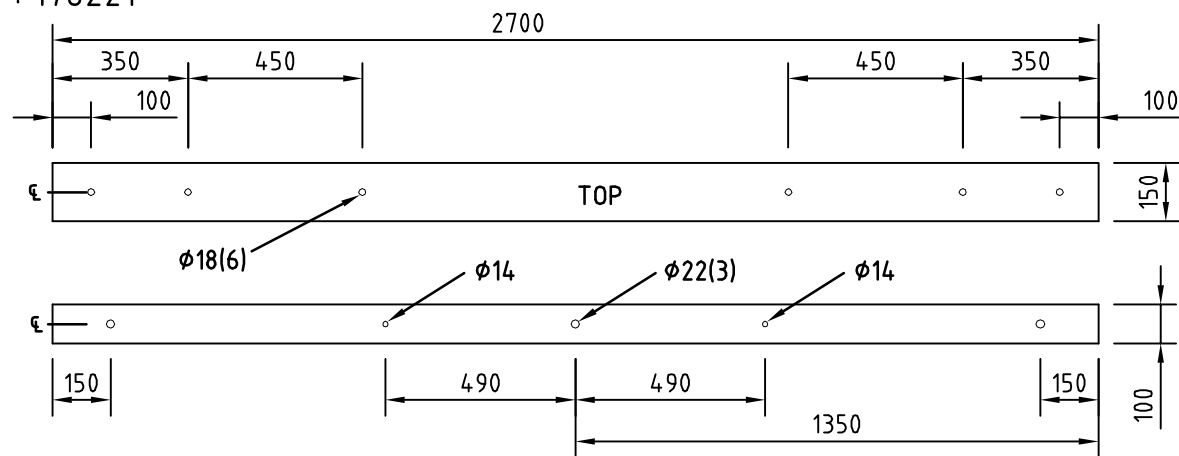
ITEM (C)

L.V. ARM - 1PH  
 MATERIAL : 2100x150x100 H/WOOD  
 STOCK CODE : 176224



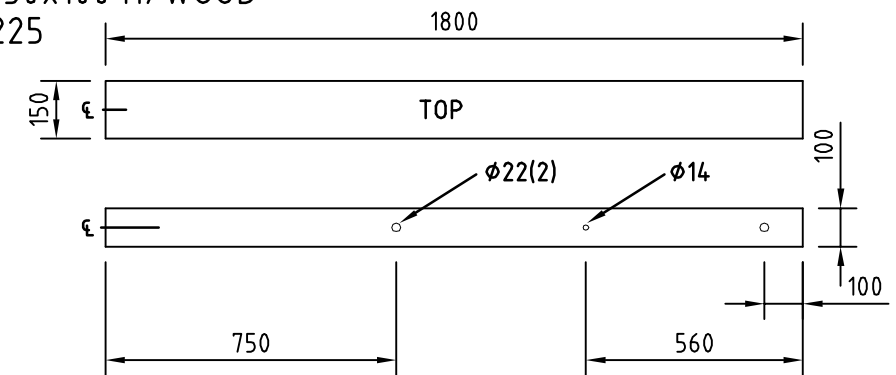
ITEM (B)

L.V. ARM - ABC - 3PH  
 MATERIAL : 2700x150x100 H/WOOD  
 STOCK CODE : 176221



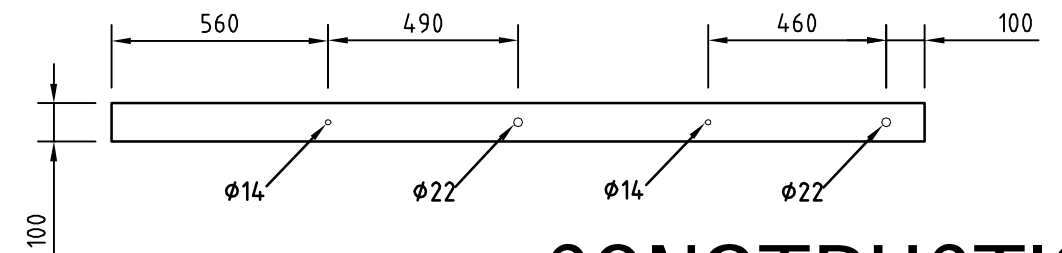
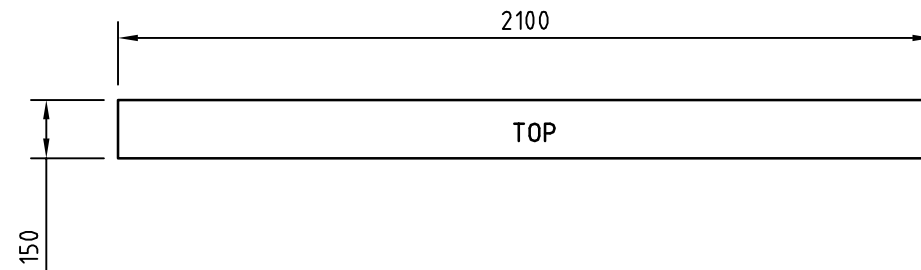
ITEM (D)

COMMUNICATIONS ARM - 1PH  
 MATERIAL : 1800x150x100 H/WOOD  
 STOCK CODE : 176225



ITEM (E)

COMMUNICATIONS ARM - 3PH  
 MATERIAL : 2100x150x100 H/WOOD  
 STOCK CODE : H23745



**CONSTRUCTION**

CAD DRAWING  
 DO NOT MANUALLY AMEND  
**A M E N D M E N T S**  
 5. CONVERTED TO AUTOCAD.  
 NEW DRAWING BORDER.  
 LAYOUT AMENDED.  
 $\phi 24$  HOLE CHANGED TO  $\phi 22$ .  
 ITEM 'B' - AMENDED.  
 ITEM 'E' - STOCK CODE  
 H23745 ADDED.  
 P/N: PM02-02010-1-3-1  
 DATE: 18-10-2012  
 DRAWN: CMABBUTT  
 CHECKED: P.JARVIS  
 APPROVED: P.JARVIS



NETWORK STANDARD  
**Ausgrid**  
 DISTRIBUTION OPERATIONS & RELIABILITY  
 LOGISTICS AND DISTRIBUTION ENGINEERING  
 25-27 POMEROY STREET, HOMEBUSH

SCALE 1:20  
 DESIGNED  
 DRAWN  
 CHECKED  
 APPROVED  
 DATE 26/06/2001  
 PROJECT NUMBER  
 PROJTRAK NUMBER

*SIGNED ON ORIGINAL*

STANDARD CONSTRUCTION  
 SINGLE AND THREE PHASE  
 POLE MOUNTED DISTRIBUTION SUBSTATION  
 CROSSARM MANUFACTURING DETAIL

SIZE A3 DRAWING No 566345 SHEET 1 AMD 5